

HIGH TEMPERATURE CLASS-800 GLOBE VALVE API 602 REDUCED BORE DESIGN

Description

A class 800 valve is ideal for applications running at high pressures and temperatures where tight shut-off isolation is required. Most typically, the class 800 is used for steam and mineral oil applications. Manufactured in both forged steel and stainless steel as standard.

The cost effective range of class 800 valves can work up to pressures of 138 barg (2000 psig) with a temperatures ranging between -29.0°C to 425.0°C. Available with On/Off, needle flow control or screw down Non-Return discs.

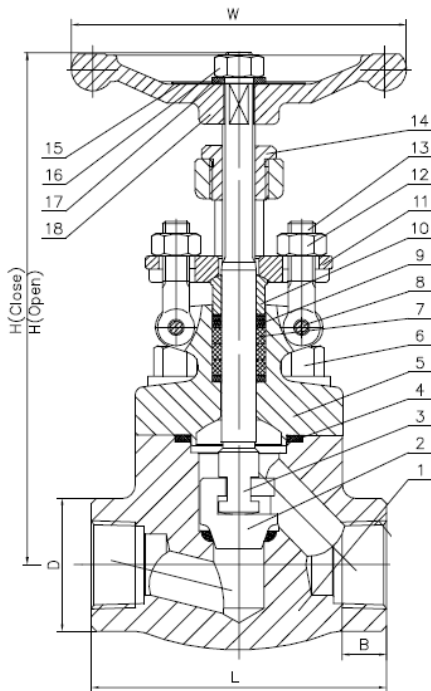


Design Features

- Outside Screw and Yoke with Bolted Bonnet
- API 602 design with API 598 Testing
- High Pressure and Temperature Rating
- Handwheel operated with Rising Stem
- Wide range of Connections
- Available in Forged Steel or F316L Stainless Steel
- 13% CR + HFS No. 8 Trim with Graphite Packing

Specifications

Rating	Class 800
Sizes	DN15 (1/2") to DN50 (2")
Body	F316L, A105N
Connections	BSP, NPT, DIN or ANSI Flanged Socket weld to ANSI B16.11
Temperature Range	-29.0°C to 425.0°C
Design	API 602



Class	800	L B
Shell Test Pre (HYD)	20.5	MPa
Seat Test Pre (HYD)	15.0	
Seat Test Pre (AIR)	0.6	

Pos	Description	Materials	
		Forged Steel	Stainless Steel
1	Body	A105+13Cr	A182 F304
2	Disc	A276 410	A276 410
3	Stem	A182 F6a	A182 F6a
4	Gasket	SS+Graphite	SS+Graphite
5	Bonnet	A105	A182 F304
6	Hex. Bolt	A193-B7	A193-B7
7	Packing	Braid Graphite	Braid Graphite
8	Pin	A276 410	A276 410
9	Packing	Flexible Graphite	Flexible Graphite
10	Gland	A276 410	A276 410
11	Gland Flange	A105	A182 F304
12	Gland Nut	A194-2H	A194-8
13	Gland Eyebolt	A193 B7	A193 B8
14	Yoke Nut	A276 410	A276 410
15	Nameplate	304SS	304SS
16	Nut	A194 2H	A194 8
17	Washer	A473 431	A473 431
18	Handwheel	A197	A197

Size	L	D	B	W	H (Open/Close)
1/2"	79	36	13.2	100	169 / 160
3/4"	92	40	15.0	100	171 / 162
1"	111	50	16.8	125	206 / 193
1 1/4"	120	58	19.1	160	239 / 222
1 1/2"	152	64	19.1	160	265 / 238
2"	172	74	19.2	180	300 / 268